

HYDRAULIC Pile breakers for round foundation piles



The pile breakers type 314 and 380 are highly modular systems that are easy to adjust to each pile diameter at site.

The breaking will leave the reinforcement intact and guarantees no cracks below the cut off level.

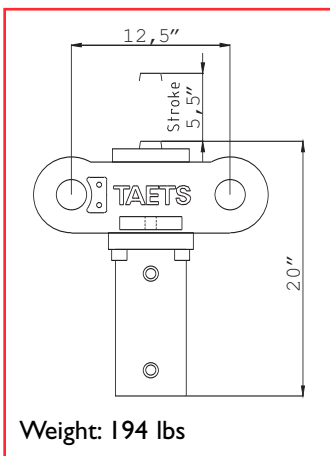
The breaking process is many times faster than conventional breaking and is fully controlled throughout its operation.

Handling and maintenance of the pile breaker are very easy and don't require special skills.

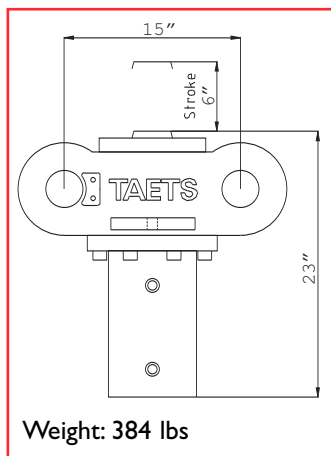
Pile diameter in inches	16	20	24	28	32	36	40	50	60	72
Required number of links type 314	7	8	9	10	11	12	13			
Required number of links type 380				9	10	11	11	13	15	18

To adjust the pile breaker accurately to the pile features, halflinks are available for both types. Because the halflinks are without hydraulic cylinders, they can easily be added to or removed from the pile breaker.

TYPE 314



TYPE 380



TAETS is specialised in manufacturing hydraulic pile breakers for square and for round foundation piles. Please contact us for more information.

Manufactured by:



Distributed by:



TAETS TECHNIEK B.V.
P.O. Box 139,
2240 AC Wassenaar,
The Netherlands
Phone: +31 70 511 21 91
Telefax: +31 70 511 88 35
U.S.A. Toll free: 888.775.7690
E-mail: taets@taets.nl
www.taets.nl

HYDRAULIC Pile breakers for square foundation piles



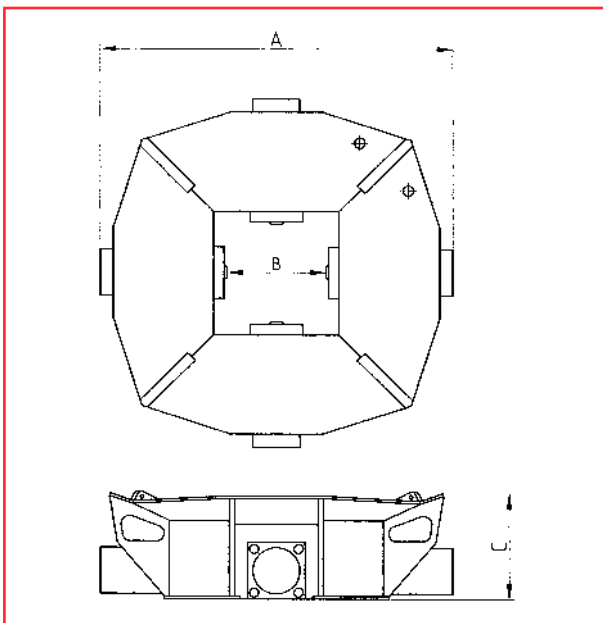
New series hydraulic pile-breakers for square piles.

Features:

- Up to 200 piles each day
- Little digging due to small dimensions
- Low cut off level
- Easy to operate
- No noise, no vibrations
- No cracks below cut off level
- The reinforcement remains fully intact
- Leaves a perfect horizontal concrete fracture

Model	Dimensions (inches)			Technical specifications						
	A	B	C	Pile range (inches)	Number of re-bars	Cut off level (inches)	Flow (gal/min)	Max. pressure (psi)	Weight (lbs)	Excavator capacity (tons lbs)
Type 2.5	40	10,3	11,2	6 - 10	4	1,6	3,2	4250	750	15000
Type 3	42	12,6	12,4	8 - 12	4	1,6	3,2	4250	795	15000
Type 3.5	43,5	14,3	12,2	10 - 14	4	1,6	3,2	4250	815	15000
Type 4.4	52,4	16,3	16,3	12 - 16	4	4	5,28	4250	1320	26450
Type 4.8	45,7	16,3	12,6	12 - 16	4-8	1,6	4,23	4250	1430	26450
Type 5	61	20	13,6	14 - 20	4-8	2	6,34	4250	1640	26450
Type 6.8	71	24	17,0	20 - 24	4-8	3	10,56	4250	2510	44100
Type 6.12	66	24	14,2	10 - 24	12	2,6	8,45	4250	2340	44100

TAETS is specialised in manufacturing hydraulic pilebreakers for square and for round foundation piles. Please contact us for more information.



Manufactured by:



TAETS TECHNIEK B.V.
 P.O. Box 139,
 2240 AC Wassenaar,
 The Netherlands
 Phone: +31 70 511 21 91
 Telefax: +31 70 511 88 35
 U.S.A. Toll free: 888.775.7690
 E-mail: taets@taets.nl
 www.taets.nl